

# BASO 2.5 PERIMETER

## Catalog Number Example

BASO 2.5-PM-RTR-BL-OP-30K-C80-UNV-010V-SEN-0500LF-NLC-ST-96IN

A B C D E F G H J K L M N O

### A RANGE

BASO 2.5 BASO 2.5

### B SUB CATEGORY

Perimeter PM

### C MOUNTING

QS Recessed trimless	R T L
QS Recessed with trim	R T R
QS Armstrong Suprafine 9/16" G	A 9 G
QS Armstrong Interlude 9/16" SG	A 9 S
QS Armstrong Silhouette 9/16" BSG	A 9 S
QS Armstrong Prelude 15/16" G	A 1 5
QS 9/16" Grid (any brand)	G R D
QS 9/16" Slot Grid (any brand)	G R D
QS 15/16" Grid (any brand)	G R D
Custom	X X X

### D COLOR

QS White	W H
QS Black	B L
Gray	G R
Custom color RAL	X X

trimless version available in white only

### E LENS REGRESSION

HP opal cover flush	O P
HP opal cover 1" regressed	O 1
HP opal cover 2" regressed	O 2

fixture depth is field-adjustable

### F END CAP DETAIL

Trim endcap (RTR only)	T R
Trimless endcap - wall to wall	T L
Invisible endcap - wall to wall	I N

### G CCT

2700K	2 7 K
QS 3000K	3 0 K
QS 3500K	3 5 K
4000K	4 0 K
Tunable White 18-40K	1 8 - 4 0 K
Tunable White 27-65K	2 7 - 6 5 K

### H CRI

CRI > 80	C 8 0
CRI > 90	C 9 0

### I VOLTAGE

120V / 277V UNV

### J DIMMING

QS 0-10V 1%	0 1 0 V
Lutron EcoSystem	L E S 1
Quantum, Vive, GRAFIK Eye, HomeWorks	
Power over ethernet	P O E C
consult customer service for compatibility	
Custom dimming	X X X X
consult customer service for compatibility	

### K SENSOR (optional)

Integrated Sensor	S E N
consult customer service for sensor request	

### J OUTPUT LM/FT

QS 500lm/ft 100% ↓	0 5 0 0 L F
QS 750lm/ft 100% ↓	0 7 5 0 L F
QS 1000lm/ft 100% ↓	1 0 0 0 L F
Custom lm/ft	X X X X L F

custom lumen up to 1200 lm/ft

### M CIRCUIT / EM

QS Single circuit	*
EMC night light circuit	N L C
EMB available in 4ft and 8ft	E M #

\*leave blank

### N SHAPE / PATTERN

QS Linear / straight	S T
QS Linear / straight + flex inset S F	
includes 1ft. field-cutttable section; only available for 4' and 8' segments	
L-shape	L S
□-shape (rectangular shape)	R S
U-shape	U S
Custom shape	X X

for grid applications using L-shape, rectangular shape or U-shape, please contact customer service for availability

### O DIMENSIONS IN INCH

Linear 2'	2 4 I N
QS Linear 4'	4 8 I N
QS Linear 6'	7 2 I N
QS Linear 8'	9 6 I N
Linear custom	## # I N
Linear flex inset	## # I N
field-cutttable section	
L-Shape	## # X ## # I N
U-Shape	## # X ## # X ## # I N
□-Shape	## # X ## # I N

for lengths including flex insets, round up to the nearest total foot length

### P CERTIFICATION (optional)

Chicago Plenum	C C E A
Red List Approved	R L A

## CERTIFICATIONS & COMPLIANCE

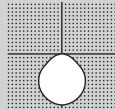


## FEATURES



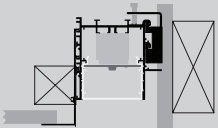
## PERFORMANCE

- Up to 106lm/W efficiency
- 455 / 750lm/ft
- CRI > 80 & CRI > 90
- IC & Damp rated



## MOUNTING

Perimeter



## PATTERNS



\*X Shapes Angular

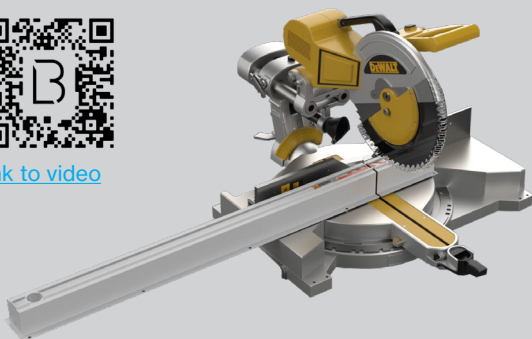
For customization, please contact customer service

## FIELD-CUTTTABLE FLEX

Down to 1/16"



[link to video](#)



BASO  
basolighting.com

CS-V01 03/2025

## Technical data

### BASO 2.5 DIRECT

Delivered Lumens	CCT	CRI	Input Watts	Luminaire Efficacy
500 lm/ft †	4000K	CRI > 80	4.1 W/ft	122 lm/W
750 lm/ft †	4000K	CRI > 80	6.3 W/ft	119 lm/W
1000 lm/ft †	4000K	CRI > 80	8.9 W/ft	112 lm/W

### LUMEN OUTPUT MULTIPLIER\*

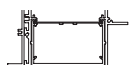
Color Temperature	CRI	
	80+	90+
4000K	1	0.86
3500K	0.96	0.84
3000K	0.95	0.82
2700K	0.91	0.78

for 30K or 35K multiply lm value by 0.96

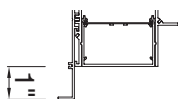
## Perimeter depth

field adjustable

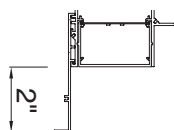
### FLUSH



### REGRESSED 1"

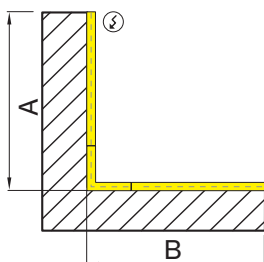


### REGRESSED 2"

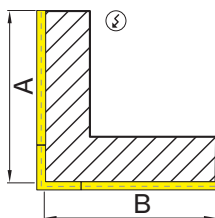


## Patterns top view

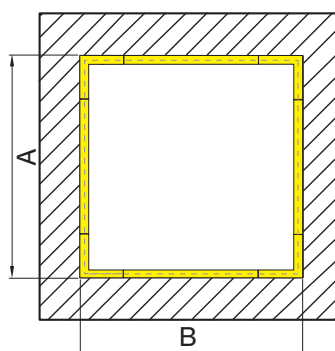
### L-SHAPE inside corner



### L-SHAPE outside corner

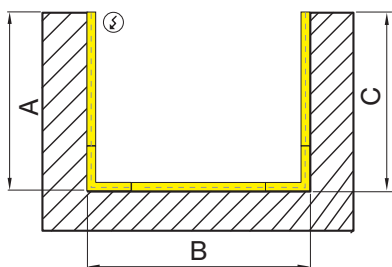


### □-SHAPE inside corner

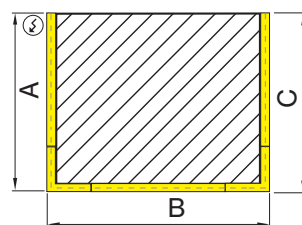


A / B	FIXTURES	CODE
48" / 48"	2 × 2' linear + 1 × 2' × 2' corner	0 4 X 0 4 F T
48" / 96"	1 × 2' linear + 1 × 6' linear + 1 × 2' × 2' corner	0 4 X 0 8 F T
96" / 96"	2 × 6' linear + 1 × 2' × 2' corner	0 8 X 0 8 F T

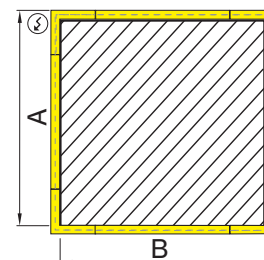
### U-SHAPE inside corner



### U-SHAPE outside corner



### □-SHAPE outside corner

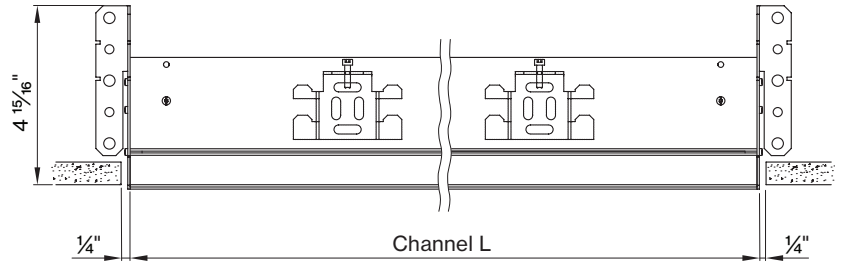
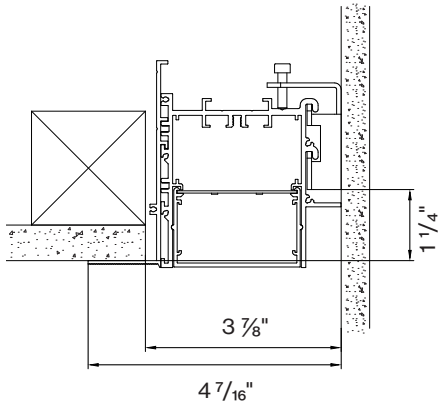


A / B / C	FIXTURES	CODE	A / B	FIXTURES	CODE
48" / 48" / 48"	2 × 2' linear + 2 × 2' × 2' corner	0 4 X 0 4 X 0 4 F T	48" / 48"	4 × 2' × 2' corner	0 4 X 0 4 F T
48" / 96" / 48"	1 × 4' linear + 2 × 2' linear + 2 × 2' × 2' corner	0 4 X 0 8 X 0 4 F T	48" / 96"	2 × 4' linear + 4 × 2' × 2' corner	0 4 X 0 8 F T
48" / 144" / 48"	1 × 8' linear + 2 × 2' linear + 2 × 2' × 2' corner	0 4 X 1 2 X 0 4 F T	96" / 96"	4 × 4' linear + 4 × 2' × 2' corner	0 8 X 0 8 F T

DIMENSIONS

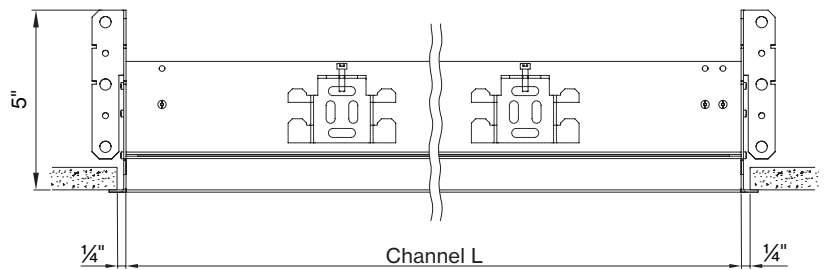
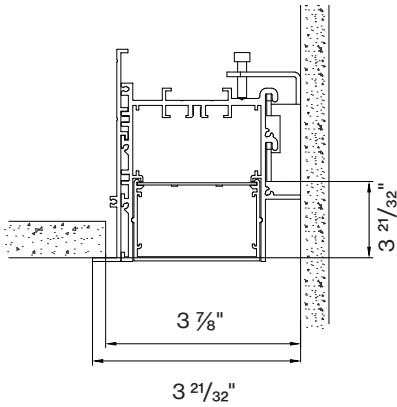
**BASO 2.5 PERIMETER**

trimless flush



please see BASO 2.5 PERIMETER mounting instructions for regressed dimensions

with trim flush



please see BASO 2.5 PERIMETER mounting instructions for regressed dimensions

**Declare.**

**BASO 1.5 2.5 4.0**  
**BASO Inc.**

Final Assembly: Collins, Connecticut, USA  
 L10 (Exception: 7' linear)  
 End of Life Options: Recyclable (80%), Landfill (20%)

**Ingredients**

Aluminum, 2-Phenylacetic acid, 2-methyl-, methyl ester, polymer with ethyl 2-oxopropionate, Steel, manufacture, Chemicals, Copper chloride (CuCl2), Steel, mounting components, Polyurethane, Brass 10-, treated/2/Aluminum-G-Alexandryl/2/ Copper, Stainless Steel, Tin, Organic Silicon

1. LBC Temp Exception RECO2 - Small Electrical Components

**Living Building Challenge Criteria Compliant**

**H14 Red List**

■ LBC Red List Free      % Disposed 100% at 100ppm  
 ■ LBC Red List Approved      VOC Content: Not Applicable  
 Chlorinated

H10 Interior Performance: Not Applicable  
 H14 Responsible Sourcing: Not Applicable

BAS-0002  
 8/31/19 REV 2025  
 Original Issue Date: 2023

INTERNATIONAL LIVING FUTURE INSTITUTE | [www.livingfutureinstitute.com](http://www.livingfutureinstitute.com)

**BASO mounting instructions**

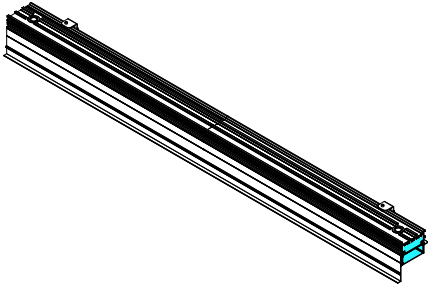
Get access to the BASO 2.5 mounting instructions faster by scanning the QR code.

<https://www.basolighting.com/resources/mounting-instructions/baso>

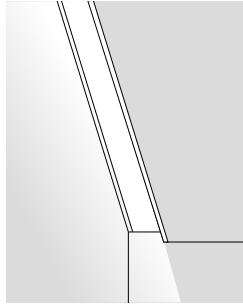


### BASO 2.5 PERIMETER

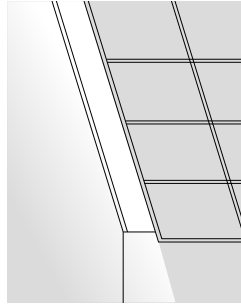
Invisible endcap



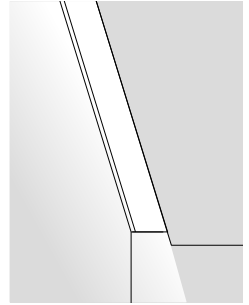
RTR



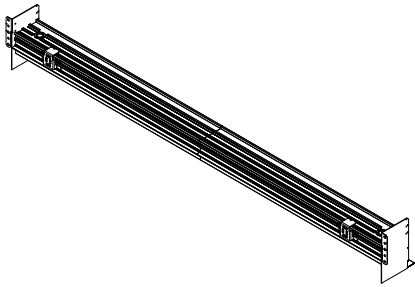
RTR (GRD)



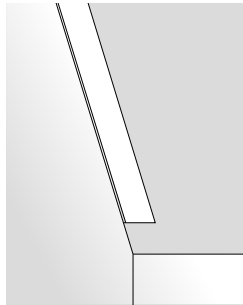
RTL



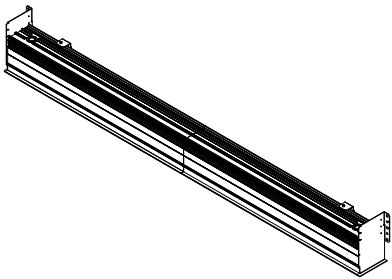
Trimless endcap



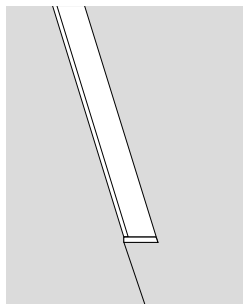
RTL



Trim endcap (RTR only)



RTR



RTR (GRD)

